

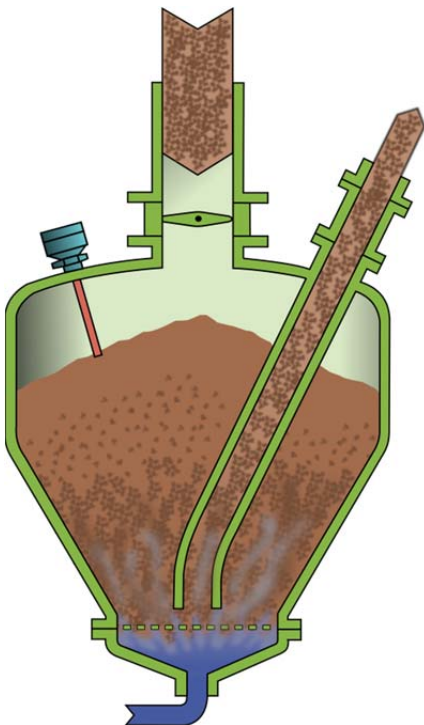


# KLEIN Type S

## Pneumatic Transporter



Model S 501



### IDEAL FOR POWDERS AND ABRASIVE MATERIALS

Type S Transporters are ideal for conveying fine powders and abrasive materials with a high percentage of dust, such as:

- Bentonite Clay
- Baghouse Dust
- Additives
- Sand
- Other granular or abrasive powders.

These rugged, heavy duty units come in various sizes and can transfer anywhere from 1 - 30 Tons/Hr of products, efficiently and cleanly using low-velocity conveying speeds that protect the product and pipelines from wear and degradation.

Klein Type S transporters use a unique aeration plate in the base of each transporter pickup unit that makes packed powders flow like water into the conveying pipe. This guarantees a slow and consistent transfer of product into the convey pipe and low-velocity transfer to the destination.

*"I wish all our vendors were as good as Klein, as my job would be a lot easier. Your equipment is built the way we want it and performs as promised."*

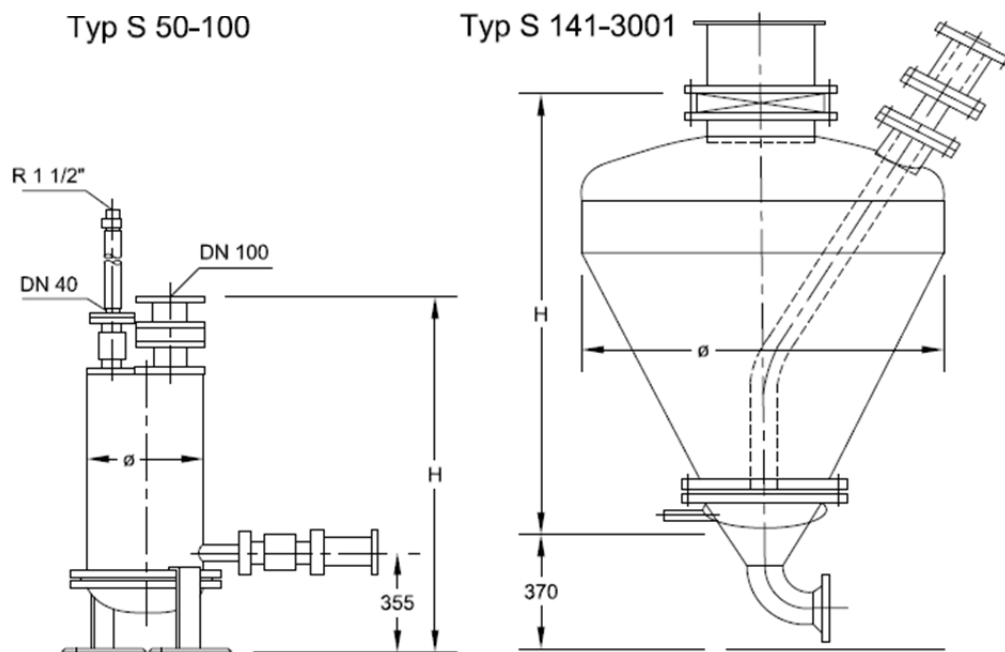
J.M., Cleveland, OH

## Benefits:

- Full dust containment
- Works well with powders and abrasive materials
- Low-velocity transfer minimizes wear and material degradation
- Simple installation
- Low Maintenance
- Quiet Operation
- Optional PLC control panel



TRANSPORTER CONTROL PANEL



Type	S 20	S 50	S 100	S 141	S 251	S 351	S 501	S 751	S 1001
<b>Diameter</b>	13"	14"	14"	32"	32"	43"	43"	43"	43"
<b>Height</b>	30"	39"	51"	42"	50"	55"	61"	72"	83"

**Klein Technology Group**  
 8275 Estates Parkway  
 Plain City, OH 43064 USA  
[www.albkleinco.com](http://www.albkleinco.com)  
 T: +1 614-873-8995